



LCG2 - Lynx 400 Electric Counter-top Twin Contact Grill - Smooth Upper & Lower Plates - W 623 mm - 4.5 kW

Heat food rapidly and seal in all the juices and flavour with the Twin-Head 2 x 2.25kW Lynx 400 Electric Contact Grill with smooth plates.

- ✓ Twin head model with smooth plates - ideal where space is limited
- ✓ Fast heat up from cold
- ✓ Enamelled cast iron plates give excellent heat retention and are easy to clean
- ✓ 1 kW element in upper plate and 1.25 kW in lower plate gives balanced cooking - no need to turn food
- ✓ Thermostatic control for accurate repeatable results
- ✓ Ideal for fast cooking of meat products
- ✓ Well balanced, smooth action mechanism with positive "park" position for safe and easy operation
- ✓ Supplied with two cables and two plugs for easy installation

Specifications

Summary

| | |
|-----------------------------|-----------------------------------|
| Range Name | Lynx 400 |
| Power Type | Electric |
| Unit Type | Counter-top |
| Available in UK Only | No |
| UK Warranty | 2 Years Parts and Labour Warranty |
| Export Warranty | Contact your local dealer |
| GTIN Code | 5056105101130 |

Power and Performance

| | |
|--|----------------|
| Total Power kW | 4.5 |
| IP Rating | IP23 |
| Cooking Area (Width x Depth) mm | (2x) 264 x 250 |
| Temperature Control | Mechanical |

Key Specifications

| | |
|-------------------------------------|--------|
| Top Grill Plate Surface Type | Smooth |
| Grill Plate Surface Type | Smooth |
| Grill Plate Material | Iron |

Weights and Dimensions

| | |
|----------------------------------|------|
| Unit Height (External) mm | 182 |
| Unit Width (External) mm | 623 |
| Unit Depth (External) mm | 400 |
| Net Weight Kg | 38.5 |

Supply Connections

| | |
|---------------------------------------|-------|
| Requires Installation | No |
| Requires Electrical Supply | Yes |
| UK 3 Pin Plug | Yes |
| Requires Hardwiring | No |
| Electrical Supply Rating Watts | 4,500 |
| Single Phase Amps | 19.6 |
| Single Phase Voltage | 230 |

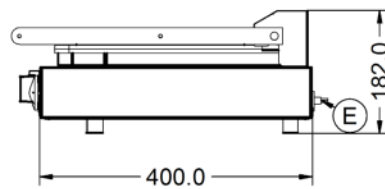
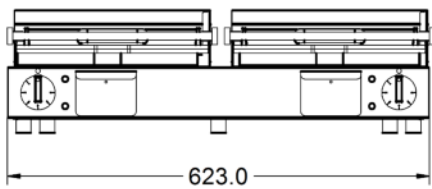
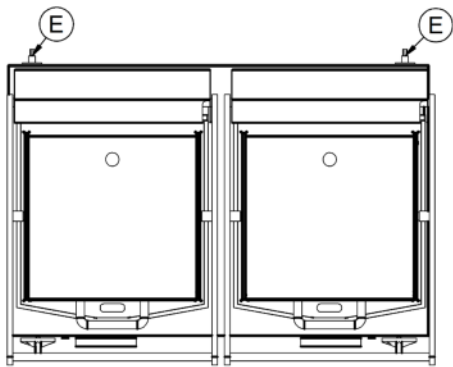
Shipping

| | |
|-------------------------|------|
| Packed Weight Kg | 40.5 |
| Packed Height cm | 36 |
| Packed Width cm | 73 |
| Packed Depth cm | 61 |

Available Accessories

| | |
|------------|---|
| OS2 | OMELETTE SPACER - FOR LCG, LCG2, LPG, LPG2, LRG, LRG2 |
|------------|---|

Technical Picture



Lincat Limited

Whisby Road,
Lincoln, LN6 3QZ,
United Kingdom

Company No: 2175448

A member company of



Customer Care

Tel: +44 1522 875500
Email: care@lincat.co.uk

Export Customers

Tel: +44 1522 503250
Email: export@lincat.co.uk

Opening Hours

Monday – Friday:
8.30am – 5pm